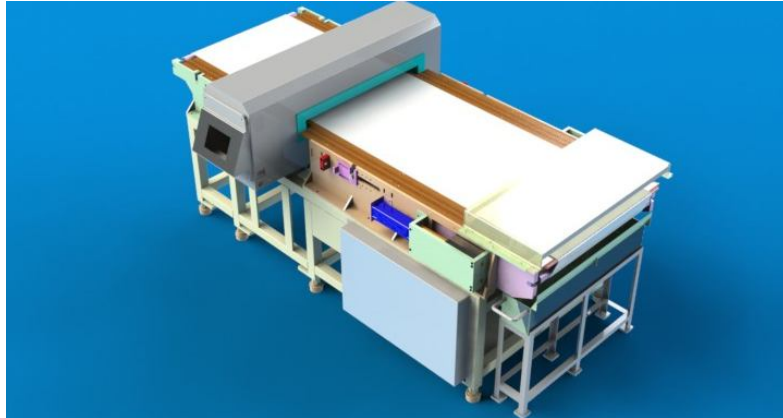


CADECWorks Foundation



Configurator is a tool to customise the design of an equipment or machinery on-the-fly. It is useful for industrial manufacturers who need to modify their designs for individual customer requirements. CADECWorks is an equipment Configurator which converts requirement specifications of equipment into designs, drawings and BOMs, cost-sheets. These can be used for technical quotation purpose or manufacturing drawing creation



The salient features of CADECWorks are:

- Configurable for any custom designed product family
- Programming-less
- Available in development and runtime modes
- It can be implemented on PC/LAN/Web
- It can be integrated with ERP
- It has tight integration with SolidWorks 3D CAD platform
- It can generate to-the-scale models and drawings
- It can generate BOMs, quotations, cost-sheets



• *Capturing knowledge base*

• *IP Security of design logic*

• *Reduction in design time / cost*

• *Increasing scalability of products*

• *Freeing designers for innovative work*

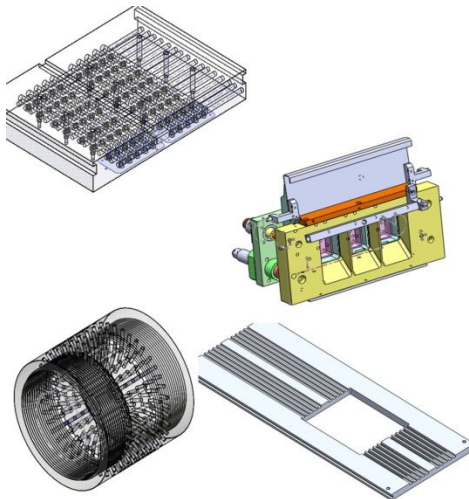
• *More product options for customers*

CADECWorks helps you in defining and managing the design process of any product. At the heart of the design process, is the design logic. It covers

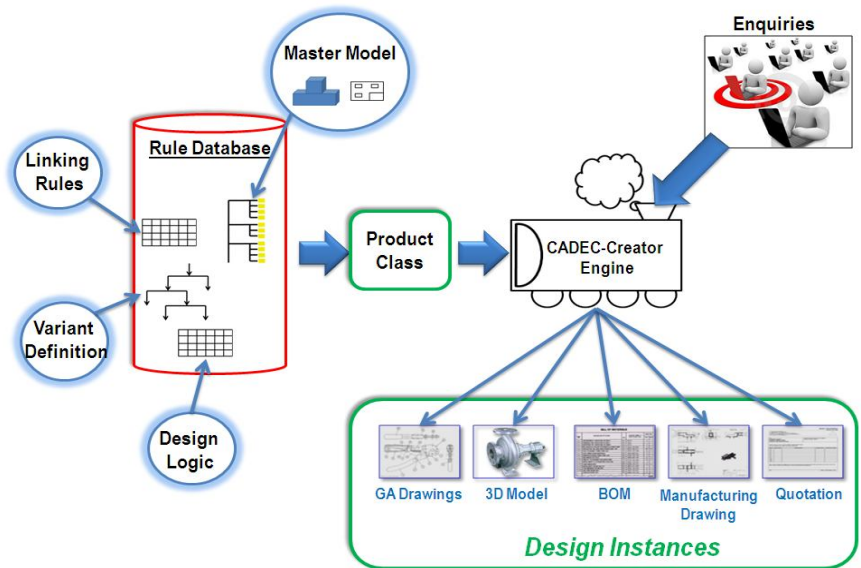
- Important dimension calculations
- Geometric feature requirements
- Component requirements
- Material selection
- Dimension reference table
- Tolerance calculations
- Validation
- Conditional and loops logic
- Special design calculation functions and programs etc

Variable Table

CADECWorks variable table captures all design variables, their calculation method and validation logic, all in a single table. This makes it easier to create / review / modify the design logic at one common place. The variables are calculated recursively, so you can create them in any sequence. You can modify variables or change their calculation / validation logic. A variable editor helps in creating complex expressions for calculations. Various standard and specialised functions are available for this purpose. What's more, advanced users can add their own functions to CADECWorks in simple English like language.



Automated GA drawing, Manufacturing Drawing, 3D Models, BOM, Quotations



Model capture

This is required to implement the design logic to CAD. It involves auto-capturing the master models, components, features and parameters and maintaining and updating the feature tree in CADECWorks. Almost all CAD functionalities are captured and controlled by CADECWorks

CAD linking

The CAD parameters can be broadly classified into 2 types : State (suppress/un-suppress) and value (dimensions) CADECWorks links shape variables to states and size variables to values. You can have multiple states of multiple components linked to same shape variable very easily in CADECWorks.

Model control

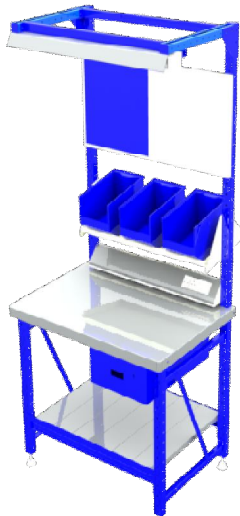
This is the runtime functionality of CADECWorks to calculate derived variable values and pass them to the model parameters to create the required design instance.

Geometry outputs

The customised designs created are saved in 3D format. Drawing output of assembly as well as individual parts also get generated based on configured formats. Bill of Materials, cost sheet and quotation output can be configured. Optional formats are also supported.

Drawing utilities

Alignment and positioning of different drawing entities is done by drawing-specific rules defined. Dim pitch, margins, view scales, etc. are auto-adjusted



Modules	Foundadtion	Enterprise	Ultimate	Creator	Foundation with Mechano
Variable Table (Formulator and Design Logic Capture)	√	√	√		√
Model Capture (Crawler)	√	√	√		√
CAD Linking (Linker)	√	√	√		√
Model Control	√	√	√	√	√
Geometry Outputs	√	√	√	√	√
Drawing Utilities	√	√	√	√	√
Transaction Database		√	√		
I/O Module		√	√		
webcon Application		√	√		
Costing Utilities		√	√		
Catalogue Browser		√	√		
Component Mechano			√		√
Feature Mechano			√		√
Geometry Rules			√		√
Rule Synchroniser			√		√

Mark Design Solutions Pvt. Ltd.

Ksheerada Building, 266 Navi Peth, Pune 411030 Phone: 91 - 20 - 24327031, Fax: 24327032, Email: info@markengg.com | Web: www.markengg.com, www.cadec.in

