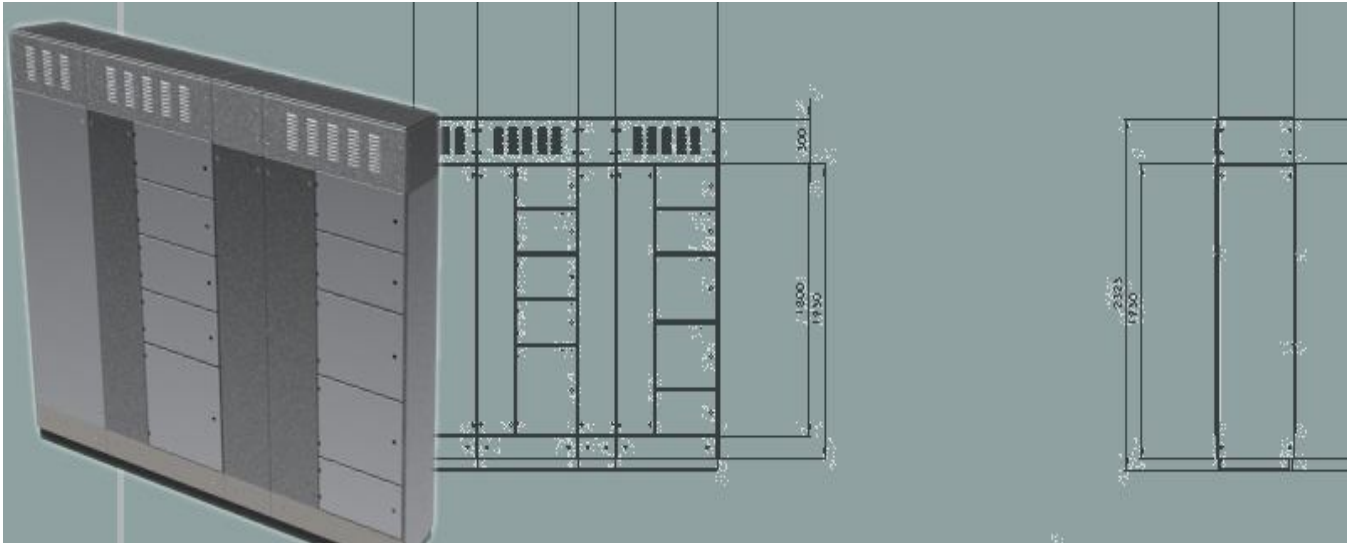


CADECWorks Ultimate



• Create your own library parts

• Smart library parts with auto-“mates”

• Use of Configurations

The world is moving towards solutions, and an effective integration of your product / component library with your sales process can help you in quick implementation of on-demand solutions.

Libraries are the building blocks which can be intelligently used by the Configurator to create layout / arrangement required by customer.

If you already have component libraries created, it gives almost out of the box Configurator implementations

Salient Features

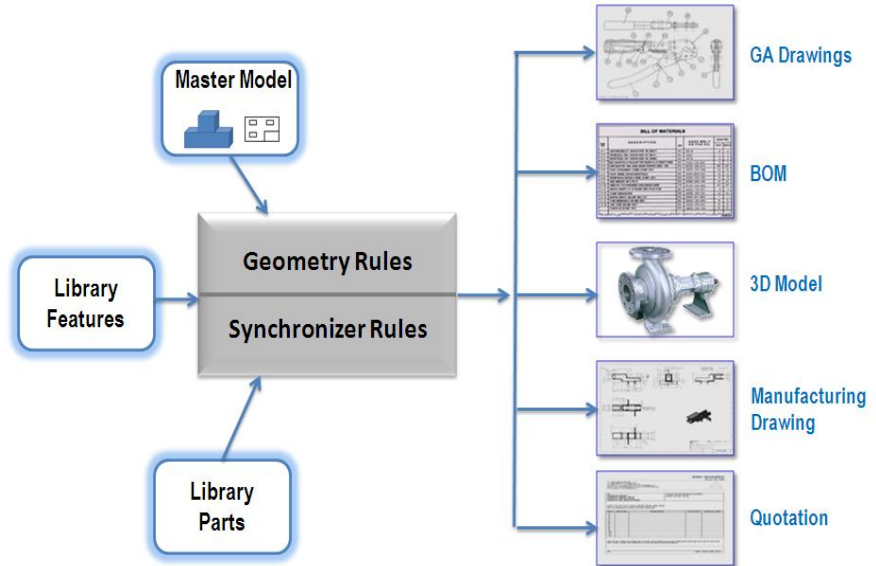
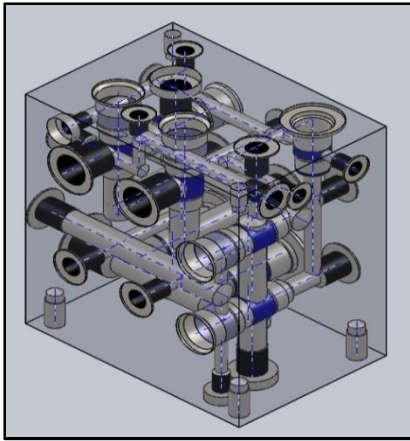
- Components (parts and assemblies) and feature libraries are supported.
- The geometry rules can be defined for sun-folder and get automatically synchronized when you add any new item to the library.
- With geometry rules, the library items become intelligent to know where they will be placed in the design layout and in which way they can be modified.
- The selection, placement and modification of library item to be placed in design layout is completely and automatically controlled by CADECWorks variables.
- These can be easily configured to suit your design logic.
- BOMs, feature table formats can be Configured and filtered BOMs can also be generated.
- Drawings are auto generated for GA layout as well as individual part detailing

CADECWorks Mechano

- Its library module to use parts / assemblies from your company standard library. The possible parents for a component and required mates are defined by Configurable geometry rules.
- There is a facility to modify a standard component while adding to design layout and save with a configurable name.

Feature Mechano

- Parametric use of library features is an advanced functionality supported by some 3D CAD systems. CADECWorks Mechano leverages this facility to give you a process-based approach to complex product configuration products like manifolds, cutting tools, hydraulic systems, sheet-metal parts with form feature, complex castings / forgings, etc. can be created by using library features very effectively. The features have locating dimensions and internal dimensions. CADECWorks Mechano Configures and controls these by its geometry rules.
- Selection, modification and placement of features in design layout which can be configured as per your design logic. Feature tables and feature wise drawing entities creation are supported



Create customised layouts with library parts and features

Geometry Rules

•The library components need to be located (placed or mated) in the design layout. Also the standard components may be required to be modified when using in layout. The rules about mates and modifiable parameters are defined in rule database. These are CADECWorks Geometry Rules. Thus, the components are intelligent to know their internal and locating parameters.

Rule Synchroniser

The success of library approach depends upon how easy it is to add different components to the library and how easy it is to use them in design layouts. CADECWorks Rule synchroniser allows to define component-type specific geometry rules and automatically adds the rules to rule database when a new library component is added to library.

Drawing generator

•It uses a combination of master draftings and from-scratch drawings based on templates. The output can be configured to include important GA dimensions, BOMs, feature lists, balloons, schematic sketches, etc



Fire door

Modules	Foundadtion	Enterprise	Ultimate	Creator	Foundation with Mechano
Variable Table (Formulator and Design Logic Capture)	✓	✓	✓		✓
Model Capture (Crawler)	✓	✓	✓		✓
CAD Linking (Linker)	✓	✓	✓		✓
Model Control	✓	✓	✓	✓	✓
Geometry Outputs	✓	✓	✓	✓	✓
Drawing Utilities	✓	✓	✓	✓	✓
Transaction Database		✓	✓		
I/O Module		✓	✓		
webcon Application		✓	✓		
Costing Utilities		✓	✓		
Catalogue Browser		✓	✓		
Component Mechano			✓		✓
Feature Mechano			✓		✓
Geometry Rules			✓		✓
Rule Synchroniser			✓		✓

Mark Design Solutions Pvt. Ltd.

Ksheerada Building, 266 Navi Peth, Pune 411030 Phone: 91 - 20 - 24327031, Fax: 24327032, Email: info@markengg.com | Web: www.markengg.com, www.cadec.in

