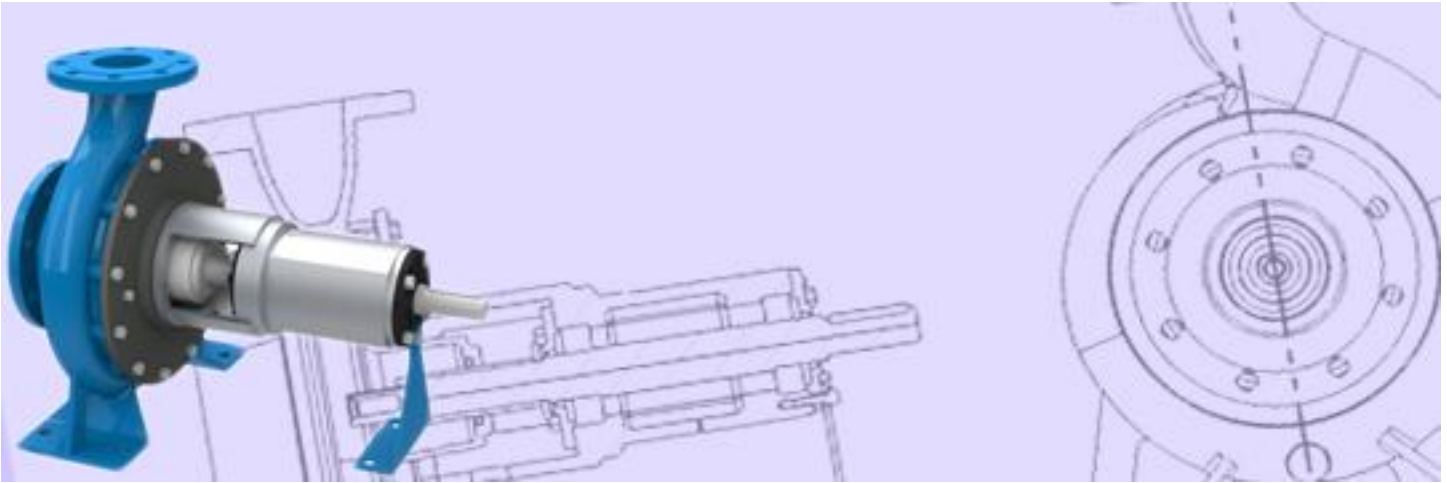


CADECWorks Enterprise



CADECWorks Enterprise is extension of your ERP system to include the engineered-to-order ETO or Configured-To-Order (CTO) process.

It makes it an ideal tool for sales people and end clients to choose specifications of their choice and see how it will affect the general arrangement and cost.

It makes the sales process automated, innovative and flexible and eliminates the time consuming iterations of getting specifications >> Creating design >> getting approval.

The salient features of CADECWorks enterprise are:

1. It can be integrated with any RDBMS based ERP
2. It has web-template which can be hosted on your website for direct customer collaboration
3. It allows online/offline/email based view/download of designs by customers
4. It maintains a transaction database for keeping track of enquiry processing
5. It can be configured to create BOM/cost sheet in the format required by your ERP system

Transaction Database:

- The transaction database plays pivotal role in implementing CADECWorks enterprise in your collaborative sales process. It captures the enquiry details.
- It is a pivot table and is configured to get appended as enquiries get generated.
- It captures details like product specifications, non-geometric specifications, output formats, etc.
- It can be queried/updated from your ERP system to leverage it fully.

I/O modules:

- This module pulls enquiry details from the transaction database and initiates the CADECWorks Creator process to generate the design instance and all required output formats.
- This process can be configured to be continuously running or can be called by your ERP when required.
- This process in turn uses CAD software and generated outputs.
- It can be further configured to generate optional drawing formats, lists, 2D/3D output formats to give you complete control over your ETO/CTO outputs.

•Your sales person or customer can configure your product online

•Many product variations

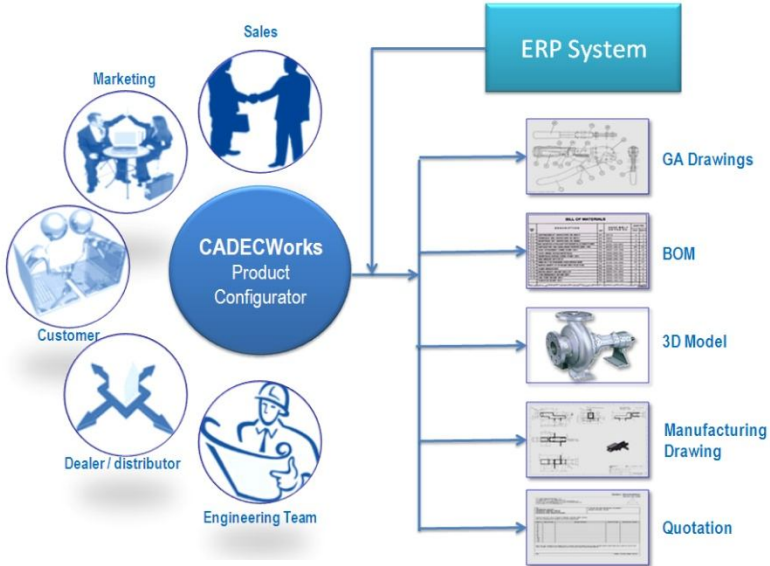
•Can give specific dimension inputs

•Gives on-the-fly quotations

•Input can be validated

•Get to-the-scale products

•Download 3D / 2D formats



Make your business Engineer-To-Order with CADECWorks

Costing Configurator

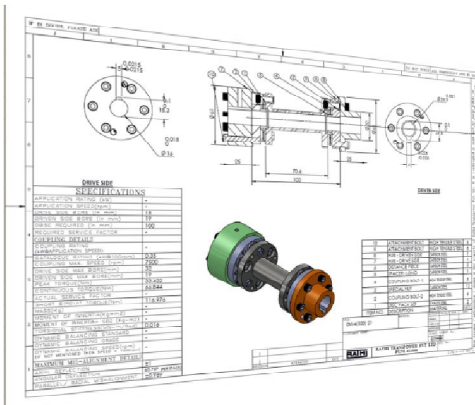
•CADECWorks has a strong variable table backbone, and CADECWorks costing Configurator uses it to give you output in table format for BOM/costing needs of your ERP.

Catalogue Browser

•The design instances specification captured in transaction database and outputs are stored in transaction folder. Catalogue browser is a web based tool to search/filter the created design instances to get 2D/3D outputs or BOM

Webcon

- It's a web application template which configures itself as per the product family to be used by the end user.
- It's a ready-to-use programmingless template which gives you out-of-the-box implementation of web-based Configurator for your company's product.
- It allows the end client to choose product family, features of product required, specify important dimensions.
- It has a familiar graphical user interface to make the selections more intuitively without any assistance from any sales / technical person.
- The webcon automatically implements all validations specified in CADECWorks, so that end user can't specify wrong inputs.



Modules	Foundadtion	Enterprise	Ultimate	Creator	Foundation with Mechano
Variable Table (Formulator and Design Logic Capture)	✓	✓	✓		✓
Model Capture (Crawler)	✓	✓	✓		✓
CAD Linking (Linker)	✓	✓	✓		✓
Model Control	✓	✓	✓	✓	✓
Geometry Outputs	✓	✓	✓	✓	✓
Drawing Utilities	✓	✓	✓	✓	✓
Transaction Database		✓	✓		
I/O Module		✓	✓		
webcon Application		✓	✓		
Costing Utilities		✓	✓		
Catalogue Browser		✓	✓		
Component Mechano			✓		✓
Feature Mechano			✓		✓
Geometry Rules			✓		✓
Rule Synchroniser			✓		✓

Mark Design Solutions Pvt. Ltd.

Ksheerada Building, 266 Navi Peth, Pune 411030 Phone: 91 - 20 - 24327031, Fax: 24327032, Email: info@markengg.com | Web: www.markengg.com, www.cadec.in

